

ABLOY EL502 Solenoid Lock

General Description

ABLOY EL502 is typically used in the interior doors of business premises and educational buildings. The locks include a special double action bolt for quick and easy use and offer a cost-effective way of electric locking without compromising performance. The locks can be controlled by a variety of electrical impulse generating equipment such as card readers, keypads and timers. The locks can be connected to automatic swing door operators and are an excellent solution for access control systems. The new revolutionary adjustable backset feature offers unique flexibility that's never been available before. Because of its symmetrical trigger bolt, ABLOY EL502 can be used in double swing doors. The lock can always be opened mechanically by key or by thumb turn and the bolt deadlocks automatically when the door closes.

Key Features

- Field selectable Fail Safe/ Fail Secure configuration
- Non Handed Symmetrical trigger bolt
- Visual Lock Status indicator
- Immediate release of Deadlocking
- Push or Pull operation
- Wide Operating Voltage
- Backset 50mm

Applications

- Offices
- Storage rooms
- Consulting rooms

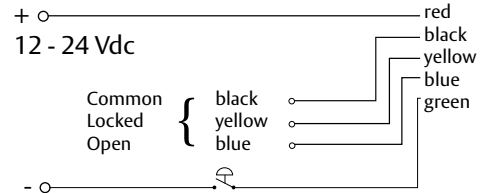
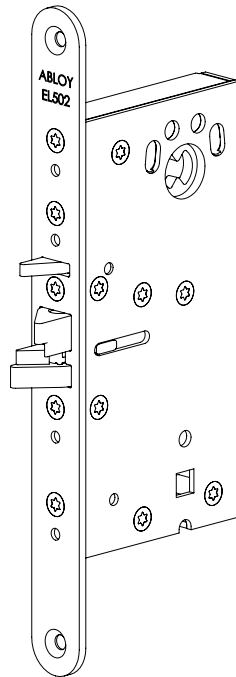
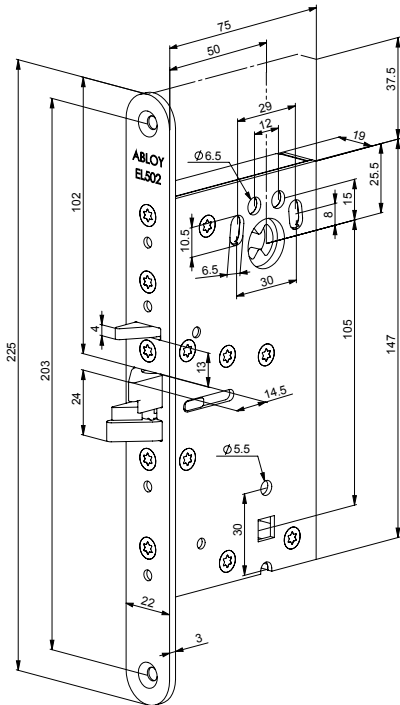
Note: The EL402 is not recommended;

- For use in doors with seal force
- For use in fire doors

Note: EL 512 & EL 513 are replaced with EL502



ABLOY EL502 Solenoid Lock



EL502 Solenoid Lock Technical Information

Voltage	12-24 Vdc -10%/ +15% STAB
Current	12V Max 550 mA, Normal 240mA 24V Max 270mA, Normal 110mA
Monitoring	Microswitch 0.4A 30V AC (Deadlock status)
Environment	Operational temperature range -20°C to +60°C
Case/ Cover	High Purity zinc alloy
Forend	22mm
Backset	50mm
Latchbolts	Double action latch 14.5mm
Door Clearance	3-5 mm
Cylinder	ABLOY classic or ABLOY Disklock Pro Scandinavian oval type
Cabling	Recommended cable: 18AWG (0.82mm ²) cable runs up to 30m
Furniture	ABLOY Architectural Hardware
Standard Finishes	Chrome plated forend, lock case yellow chrome plated

Specification Statement

This mortice lock must consist of High grade pure zinc alloy, the lock needs to have a backset 50mm. The latch bolt must be no less than 14.5mm with complete double action trigger. The voltage must be variable between 12-24Vdc with tolerance of 15% up or 10% down. The lock and unlocked status must be fully monitored by means of dry contacts.

Ordering Information

Product Description	Part Number
ABLOY EL 502 Electric mortice Solenoid Lock	EL502
Cable 6m for EL502	EA211